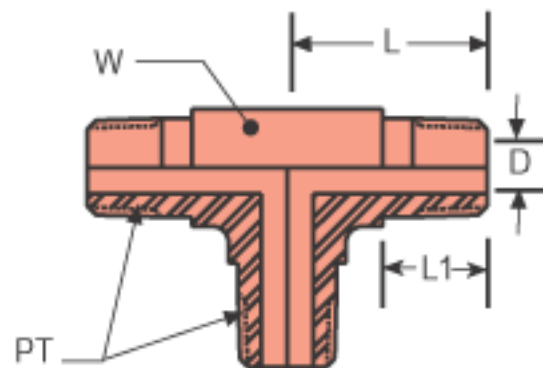


Threaded Adapter Tee

MMM: Male Tee

Connects female NPT thread



* Working Pressures

Part Number	PT PIPE THREAD	D Through Hole	L	L1	W Wrench Flat	Stainless Steel*	Monel*	Brass*
1/8MMM	1/8 - 27	0.19	0.78	0.38	7/16	10050	5050	5050
1/4MMM	1/4 - 18	0.28	1.09	0.56	9/16	8050	4050	4050
3/8MMM	3/8 - 18	0.41	1.22	0.56	3/4	7850	3950	3950
1/2MMM	1/2 - 14	0.53	1.47	0.75	7/8	7750	3850	3850
3/4MMM	3/4 - 14	0.72	1.59	0.75	1 - 1/16	4150	---	---
1MMM	1 - 11-1/2	0.94	1.97	0.94	1 - 5/16	3800	---	---