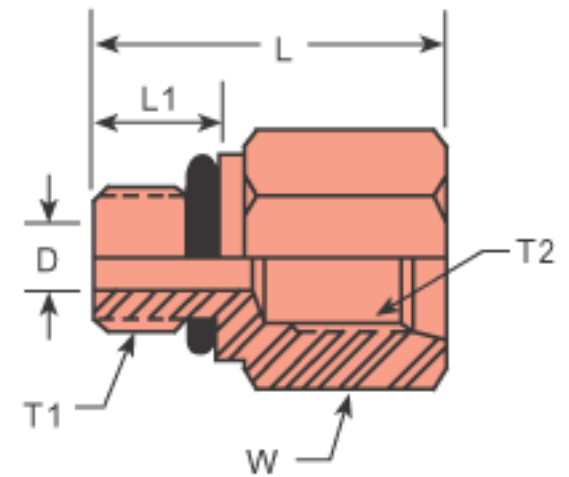


Threaded Adapter

Adapter & Bushing

GCFP: Male Straight Thread x Female Straight Thread

Connects female SAE/MS to male SAE/MS thread



* Working Pressures

Part Number	T1 Thread	T2 Thread	D Through Hole	L	L1	W Hex	Stainless Steel*	Monel*	Brass*
4-4GCFP	7/16 - 20	7/16 - 20	0.20	1.06	0.36	11/16	5400	---	---
4-6GCFP	7/16 - 20	9/16 - 18	0.20	1.16	0.36	13/16	5400	---	---
6-4GCFP	9/16 - 18	7/16 - 20	0.30	0.97	0.39	11/16	5400	---	---
6-6GCFP	9/16 - 18	9/16 - 18	0.30	1.19	0.39	13/16	5400	---	---
6-8GCFP	9/16 - 18	3/4 - 16	0.30	1.38	0.39	1 - 1/16	4800	---	---
8-6GCFP	3/4 - 16	9/16 - 18	0.42	1.06	0.44	7/8	5400	---	---
8-8GCFP	3/4 - 16	3/4 - 16	0.42	1.47	0.44	1 - 1/16	4800	---	---
8-10GCFP	3/4 - 16	7/8 - 14	0.42	1.56	0.44	1 - 1/8	3600	---	---
10-6GCFP	7/8 - 14	9/16 - 18	0.50	0.81	0.50	1	6000	---	---
10-8GCFP	7/8 - 14	3/4 - 16	0.50	1.31	0.50	1	4800	---	---
10-12GCFP	7/8 - 14	1-1/16 - 12	0.50	1.69	0.50	1 - 3/8	4200	---	---
12-8GCFP	1-1/16 - 12	3/4 - 16	0.69	1.00	0.59	1 - 1/4	5400	---	---
12-10GCFP	1-1/16 - 12	7/8 - 14	0.66	1.44	0.59	1 - 1/4	3600	---	---
12-12GCFP	1-1/16 - 12	1-1/16 - 12	0.66	1.86	0.59	1 - 3/8	3600	---	---
12-16GCFP	1-1/16 - 12	1-5/16 - 12	0.66	1.88	0.59	1 - 5/8	2400	---	---
16-8GCFP	1-5/16 - 12	3/4 - 16	0.69	1.00	0.59	1 - 1/2	6000	---	---
16-12GCFP	1-5/16 - 12	1-1/16 - 12	0.88	1.75	0.59	1 - 1/2	4200	---	---
16-16GCFP	1-5/16 - 12	1-5/16 - 12	0.88	1.91	0.59	1 - 5/8	4200	---	---
20-6GCFP	1-5/8 - 12	9/16 - 18	0.50	1.20	0.59	1 - 7/8	3600	---	---
20-12GCFP	1-5/8 - 12	1-1/16 - 12	0.97	1.00	0.59	1 - 7/8	3600	---	---
20-16GCFP	1-5/8 - 12	1-5/16 - 12	1.22	1.00	0.59	1 - 7/8	2400	---	---
20-24GCFP	1-5/8 - 12	1-7/8 - 12	1.09	1.88	0.59	2 - 1/2	1800	---	---
24-16GCFP	1-7/8 - 12	1-5/16 - 12	1.22	1.00	0.59	2 - 1/8	2400	---	---
24-20GCFP	1-7/8 - 12	1-5/8 - 12	1.50	1.27	0.59	2 - 1/8	2400	---	---
32-24GCFP	2-1/2 - 12	1-7/8 - 12	1.79	1.00	0.59	2 - 3/4	1800	---	---