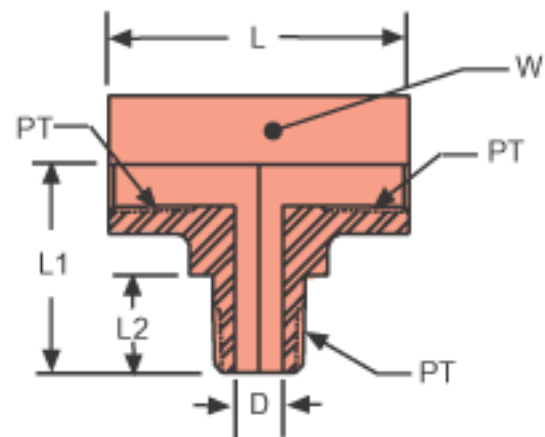


# Threaded Adapter

## Tee

### FFM: Male Branch Tee

Connects male NPT to female NPT thread



\* Working Pressures

Part Number	PT Pipe Thread	D Through Hole	L	L1	L2	W Wrench Flat	Stainless Steel*	Monel*	Brass*
1/8FFM	1/8 - 27	0.19	1.32	0.78	0.38	5/8	6550	---	3250
1/4FFM	1/4 - 18	0.28	1.76	1.09	0.56	3/4	6650	---	3350
3/8FFM	3/8 - 18	0.41	2.04	1.22	0.56	7/8	5350	---	2650
1/2FFM	1/2 - 14	0.53	2.46	1.47	0.75	1-1/8	4950	---	2450
3/4FFM	3/4 - 14	0.72	2.72	1.59	0.77	1-3/8	3850	---	1950
1FFM	1 - 11-1/2	0.94	3.24	1.97	0.94	1-5/8	3800	---	---
1-1/4FFM	1-1/4 - 11-1/2	1.25	3.40	2.38	0.94	2	1700	---	---
1-1/2FFM	1-1/2 - 11-1/2	1.50	4.16	2.64	0.94	2-3/8	2800	---	---
2FFM	2 - 11-1/2	1.94	4.78	3.00	0.97	2-7/8	2450	---	---