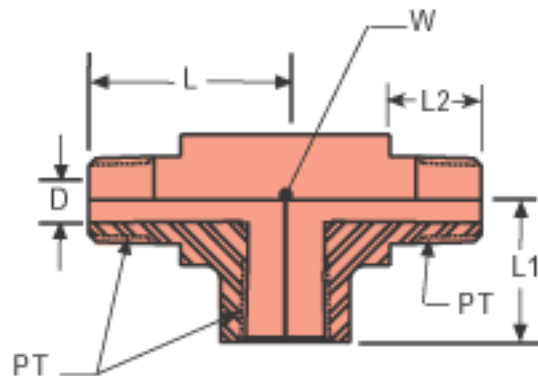


Threaded Adapter Tee

MMF: Female Branch Tee

Connects female to male NPT thread



* Working Pressures

Part Number	PT Pipe Thread	L	L1	L2	D Through Hole	W Wrench Flat	Stainless Steel*	Monel*	Brass*
1/4MMF	1/4 - 18	1.09	0.88	0.56	0.28	3/4	5850	---	---
3/8MMF	3/8 - 18	1.22	1.02	0.56	0.41	7/8	4000	---	---
1/2MMF	1/2 - 14	1.47	1.23	0.75	0.53	1 - 1/16	4350	---	---
3/4MMF	3/4 - 14	1.59	1.36	0.75	0.72	1 - 5/16	3850	---	---
1MMF	1 - 11-1/2	1.97	1.62	0.94	0.94	1 - 5/8	3800	---	---