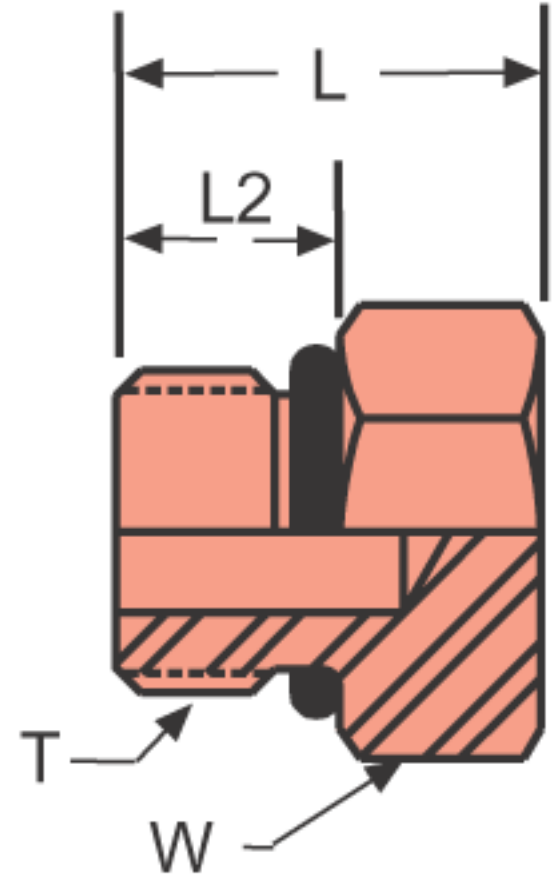


Threaded Adapter

Cap & Plug

GP-BSPP: BSP Straight Thread Plug

Plugs an ISO parallel thread boss



* Working Pressures

Part Number	T Thread BSPP	L	L2	W Hex	Stainless Steel*	Monel*	Brass*
4GP-BSPP	1/4 - 19	0.71	0.45	3/4	7200	---	---
6GP-BSPP	3/8 - 19	0.86	0.45	7/8	7200	---	---
8GP-BSPP	1/2 - 14	1.06	0.56	1-1/8	7200	---	---
12GP-BSPP	3/4 - 14	1.12	0.56	1-3/8	7200	---	---
16GP-BSPP	1 - 11	1.33	0.73	1-3/4	6600	---	---