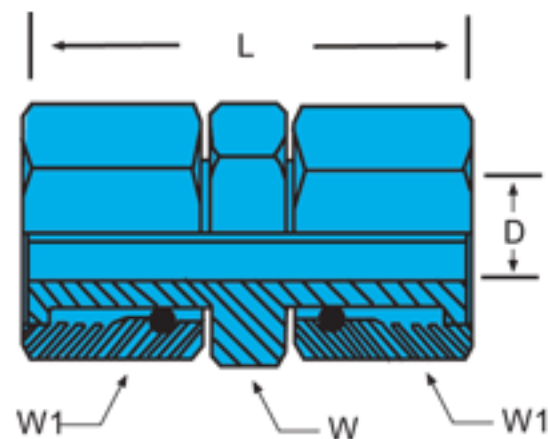


Soft-Seal

Swivel Adapter

SS-U: Swivel Nut Union

Connects Male Soft-Seal, SAE



* Working Pressures

Part Number	Tube O.D.	L	D Through Hole	W Hex	W1 Hex	Stainless Steel*	Monel*	Brass*
SS4U	1/4	1.59	0.17	5/8	11/16	6600	---	---
SS6U	3/8	1.81	0.27	13/16	13/16	6000	---	---
SS8U	1/2	2.12	0.36	7/8	15/16	6000	---	---
SS12U	3/4	2.74	0.54	1-1/4	1-3/8	6000	---	---
SS16U	1	2.95	0.78	1-7/16	1-5/8	4800	---	---

Swivel nut may be secured by either pinning or crimping to fitting body.