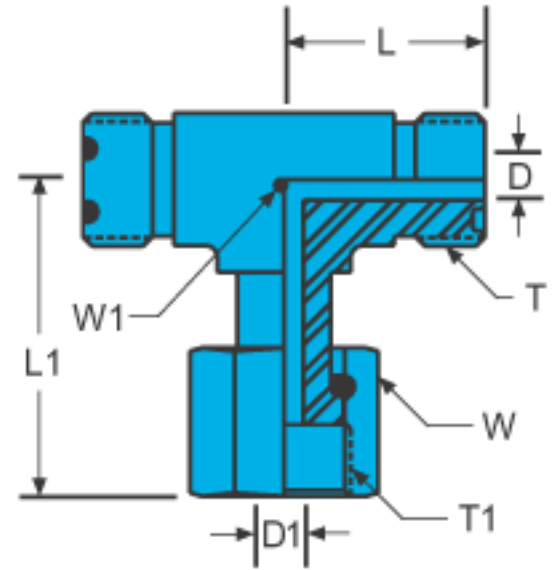


# Soft-Seal

## Tube To Swivel

### S-SBT: Swivel Nut Branch Tee

Connects fractional tube to male Soft-Seal, SAE



\* Working Pressures

Part Number	Tube O.D.	T Thread	T1 Thread	D Through Hole	D1 Through Hole	L	L1	W Hex	W1 Wrench Flat	Stainless Steel*	Monel*	Brass*
S4SBT	1/4	9/16 - 18	9/16 - 18	0.172	0.166	0.85	1.07	11/16	9/16	9200	---	---
S6SBT	3/8	11/16 - 16	11/16 - 16	0.264	0.264	0.98	1.18	13/16	3/4	9200	---	---
S8SBT	1/2	13/16 - 16	13/16 - 16	0.378	0.358	1.10	1.49	15/16	3/4	9200	---	---
S10SBT	5/8	1 - 14	1 - 14	0.484	0.453	1.31	1.65	1-1/8	1-1/16	6000	---	---
S12SBT	3/4	1-3/16 - 12	1-3/16 - 12	0.609	0.547	1.47	1.82	1-3/8	1-3/16	6000	---	---
S16SBT	1	1-7/16 - 12	1-7/16 - 12	0.812	0.781	1.64	2.10	1-5/8	1-7/16	6000	---	---
S20SBT	1-1/4	1-11/16 - 12	1-11/16 - 12	1.024	1.024	1.76	2.29	1-7/8	1-5/8	4000	---	---
S24SBT	1-1/2	2 - 12	2 - 12	1.260	1.260	1.92	2.41	2-1/4	1-7/8	4000	---	---

Swivel nut may be secured by either pinning or crimping to fitting body