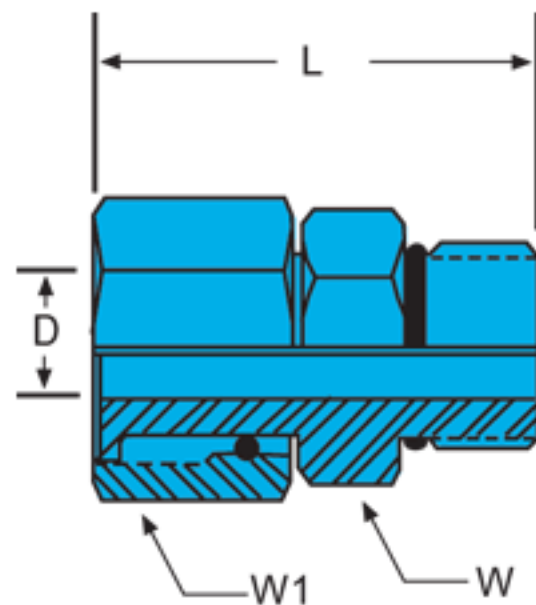


Soft-Seal

Swivel Adapter

SS-GC: Straight Thread Swivel Connector

Connects SAE/MS Straight Thread to Male S



* Working Pressures

| Part Number | Tube O.D. | T Thread | L | D Through Hole | W Hex | W1 Hex | Stainless Steel* | Monel* | Brass* |
|-------------|-----------|-------------|------|----------------|-------|--------|------------------|--------|--------|
| SS4GC | 1/4 | 7/16 - 20 | 1.49 | 0.17 | 5/8 | 11/16 | 6600 | --- | --- |
| SS6GC | 3/8 | 9/16 - 18 | 1.62 | 0.26 | 3/4 | 13/16 | 6000 | --- | --- |
| SS8GC | 1/2 | 3/4 - 16 | 1.95 | 0.36 | 7/8 | 15/16 | 6000 | --- | --- |
| SS12GC | 3/4 | 1-1/16 - 12 | 2.38 | 0.55 | 1-1/4 | 1-3/8 | 6000 | --- | --- |
| SS16GC | 1 | 1-5/16 - 12 | 2.66 | 0.79 | 1-1/2 | 1-5/8 | 4800 | --- | --- |

Swivel nut may be secured by either pinning or crimping to fitting body