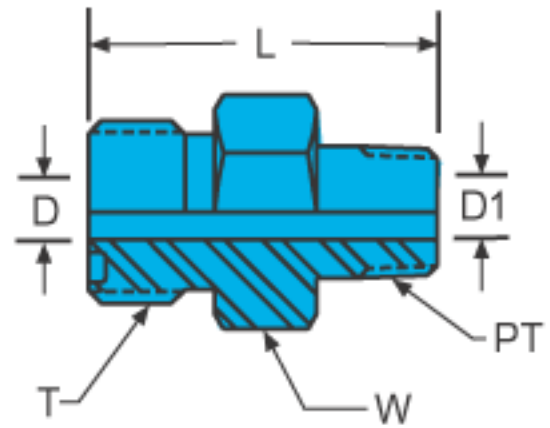


# Soft-Seal

## Tube To Male Pipe

### S-C: Male Pipe Connector

Connects fractional tube to female NPT thread



\* Working Pressures

Part Number	Tube O.D.	PT Pipe Thread	T Thread	D Through Hole	D1 Through Hole	L	W Hex	Stainless Steel*	Monel*	Brass*
S4C	1/4	1/8 - 27	9/16 - 18	0.172	0.188	1.07	5/8	6000	---	---
S4-4C	1/4	1/4 - 18	9/16 - 18	0.172	0.281	1.26	5/8	6000	---	---
S4-6C	1/4	3/8 - 18	9/16 - 18	0.172	0.172	1.32	3/4	6000	---	---
S6C	3/8	1/4 - 18	11/16 - 16	0.264	0.264	1.25	3/4	6000	---	---
S6-6C	3/8	3/8 - 18	11/16 - 16	0.264	0.406	1.34	3/4	6000	---	---
S6-8C	3/8	1/2 - 14	11/16 - 16	0.264	0.531	1.55	7/8	6000	---	---
S8C	1/2	3/8 - 18	13/16 - 16	0.378	0.406	1.48	7/8	6000	---	---
S8-8C	1/2	1/2 - 14	13/16 - 16	0.378	0.531	1.64	7/8	6000	---	---
S8-12C	1/2	3/4 - 14	13/16 - 16	0.378	0.719	1.69	1-1/8	6000	---	---
S10C	5/8	1/2 - 14	1 - 14	0.484	0.531	1.82	1-1/16	6000	---	---
S12C	3/4	3/4 - 14	1-3/16 - 12	0.609	0.719	1.93	1-1/4	6000	---	---
S16C	1	1 - 11-1/2	1-7/16 - 12	0.812	0.938	2.19	1-1/2	4000	---	---
S20C	1-1/4	1-1/4 - 11-1/2	1-11/16 - 12	1.024	1.250	2.30	1-7/8	4000	---	---
S24C	1-1/2	1-1/2 - 11-1/2	2 - 12	1.260	1.500	2.40	2-1/8	3000	---	---