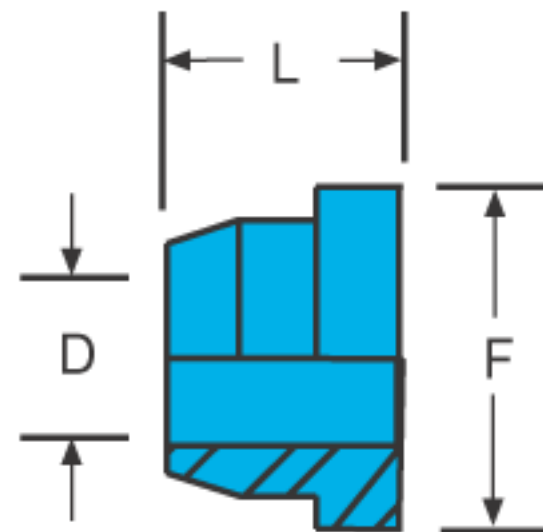


# Soft-Seal Component

## S-SM: Flanged Sleeve

CAD Drawing Download: [go](#)



\* Working Pressures

Part Number	Tube O.D.	D Through Hole	F	L	Stainless Steel*	Monel*	Brass*
S4SM	1/4	0.250	0.500	0.30	---	---	---
S6SM	3/8	0.375	0.618	0.34	---	---	---
S8SM	1/2	0.500	0.743	0.42	---	---	---
S10SM	5/8	0.625	0.921	0.42	---	---	---
S12SM	3/4	0.750	1.093	0.47	---	---	---
S16SM	1	1.000	1.343	0.53	---	---	---
S20SM	1-1/4	1.250	1.593	0.52	---	---	---
S24SM	1-1/2	1.500	1.905	0.49	---	---	---