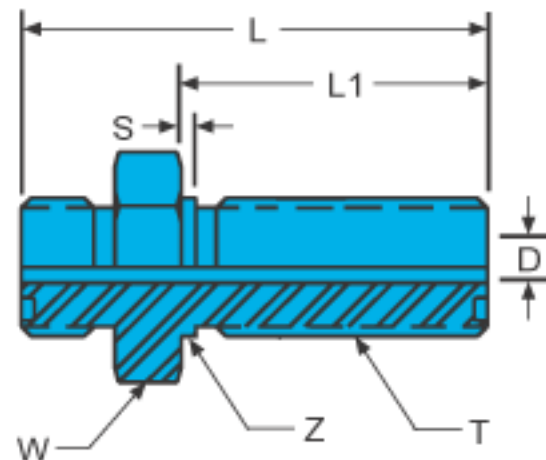


Soft-Seal

Tube To Tube Union

S-BUX: Bulkhead Union

Connects fractional tubes



* Working Pressures

Part Number	Tube O.D.	T Thread	D Through Hole	L	L1	S	W Hex	Z	Stainless Steel*	Monel*	Brass*
S4BUX	1/4	9/16 - 18	0.172	1.90	1.24	0.06	13/16	0.56	9200	---	---
S6BUX	3/8	11/16 - 16	0.264	2.09	1.34	0.06	1	0.69	9200	---	---
S8BUX	1/2	13/16 - 16	0.378	2.30	1.44	0.06	1-1/8	0.81	9200	---	---
S10BUX	5/8	1 - 14	0.484	2.62	1.60	0.06	1-5/16	1.00	6000	---	---
S12BUX	3/4	1-3/16 - 12	0.609	2.72	1.64	0.06	1-1/2	1.19	6000	---	---
S16BUX	1	1-7/16 - 12	0.812	2.76	1.66	0.06	1-3/4	1.44	6000	---	---
S20BUX	1-1/4	1-11/16 - 12	1.024	2.76	1.66	0.06	2	1.69	4000	---	---
S24BUX	1-1/2	2 - 12	1.260	2.76	1.66	0.06	2-3/8	2.00	4000	---	---

To order with Bulkhead Nut, omit suffix "x" from SSP Part Number