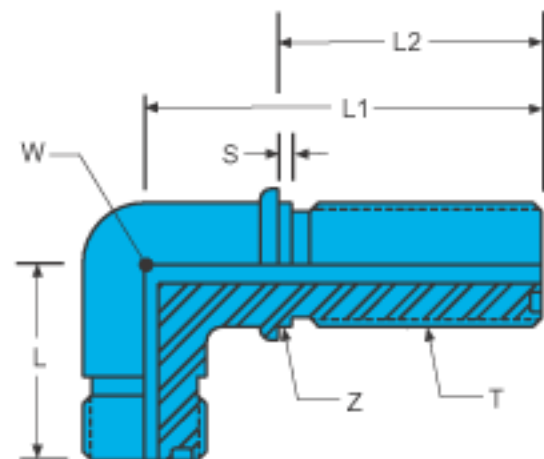


Soft-Seal

Tube To Tube Union

S-BEX: Bulkhead Elbow

Connects fractional tubes



* Working Pressures

Part Number	Tube O.D.	T Thread	D Through Hole	L	L1	L2	S	W Wrench Flat	Z	Stainless Steel*	Monel*	Brass*
S4BEX	1/4	9/16 - 18	0.172	0.89	1.85	1.24	0.06	9/16	0.56	9200	---	---
S6BEX	3/8	11/16 - 16	0.264	1.02	2.05	1.34	0.06	3/4	0.69	9200	---	---
S8BEX	1/2	13/16 - 16	0.378	1.14	2.18	1.44	0.06	3/4	0.81	9200	---	---
S10BEX	5/8	1 - 14	0.484	1.36	2.48	1.60	0.06	1-1/16	1.00	6000	---	---
S12BEX	3/4	1-3/16 - 12	0.609	1.52	2.65	1.64	0.06	1-3/16	1.19	6000	---	---
S16BEX	1	1-7/16 - 12	0.812	1.67	2.80	1.66	0.06	1-7/16	1.44	6000	---	---
S20BEX	1-1/4	1-11/16 - 12	1.024	1.79	2.97	1.66	0.06	1-5/8	1.69	4000	---	---
S24BEX	1-1/2	2 - 12	1.260	1.95	3.13	1.66	0.06	1-7/8	2.00	4000	---	---

To order with Bulkhead Nut, omit suffix "x" from SSP Part Number