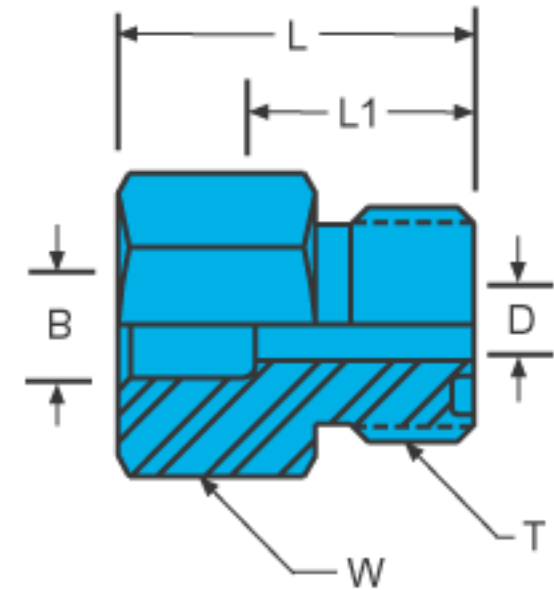


Soft-Seal Component

S-FBZ: Braze Connector

Connects fractional tubes



* Working Pressures

Part Number	Tube O.D.	T Thread	B	D Through Hole	L	L1	W Hex	Stainless Steel*	Monel*	Brass*
S4FBZ	1/4	9/16 - 18	0.26	0.172	0.86	0.52	5/8	---	---	---
S6FBZ	3/8	11/16 - 16	0.38	0.264	0.90	0.56	3/4	---	---	---
S8FBZ	1/2	13/16 - 16	0.51	0.378	0.97	0.63	7/8	---	---	---
S8-6FBZ	1/2	13/16 - 16	0.38	0.378	0.97	0.63	7/8	---	---	---
S10FBZ	5/8	1 - 14	0.63	0.484	1.07	0.73	1-1/16	---	---	---
S12FBZ	3/4	1-3/16 - 12	0.76	0.609	1.32	0.83	1-1/4	---	---	---
S16FBZ	1	1-7/16 - 12	1.01	0.812	1.52	0.97	1-1/2	---	---	---
S20FBZ	1-1/4	1-11/16 - 12	1.26	1.024	1.52	0.97	1-3/4	---	---	---
S24FBZ	1-1/2	2 - 12	1.51	1.260	1.52	0.97	2-1/8	---	---	---