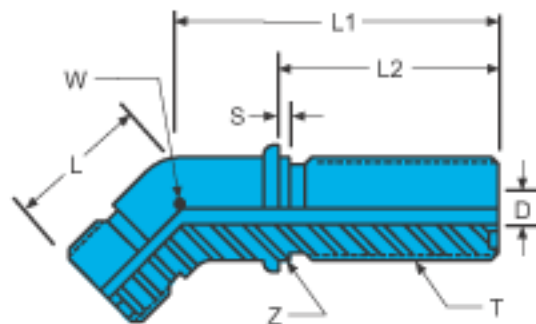


Soft-Seal

Tube To Tube Union

S-BEX-45: 45° Bulkhead Elbow

Connects fractional tubes



* Working Pressures

Part Number	Tube O.D.	T Thread	D Through Hole	L	L1	L2	S	W Wrench Flat	Z	Stainless Steel*	Monel*	Brass*
S4BEX-45	1/4	9/16 - 18	0.172	0.63	1.73	1.24	0.06	9/16	0.56	9200	---	---
S6BEX-45	3/8	11/16 - 16	0.264	0.74	1.91	1.34	0.06	3/4	0.69	9200	---	---
S8BEX-45	1/2	13/16 - 16	0.378	0.80	2.01	1.44	0.06	3/4	0.81	9200	---	---
S10BEX-45	5/8	1 - 14	0.484	0.92	2.23	1.60	0.06	1-1/16	1.00	6000	---	---
S12BEX-45	3/4	1-3/16 - 12	0.609	1.02	2.39	1.64	0.06	1-3/16	1.19	6000	---	---
S16BEX-45	1	1-7/16 - 12	0.812	1.18	2.57	1.66	0.06	1-7/16	1.44	6000	---	---
S20BEX-45	1-1/4	1-11/16 - 12	1.024	1.26	2.64	1.66	0.06	1-5/8	1.69	4000	---	---
S24BEX-45	1-1/2	2 - 12	1.260	1.45	2.64	1.66	0.06	1-7/8	2.00	4000	---	---

To order with Bulkhead Nut, omit suffix "x" from SSP Part Number