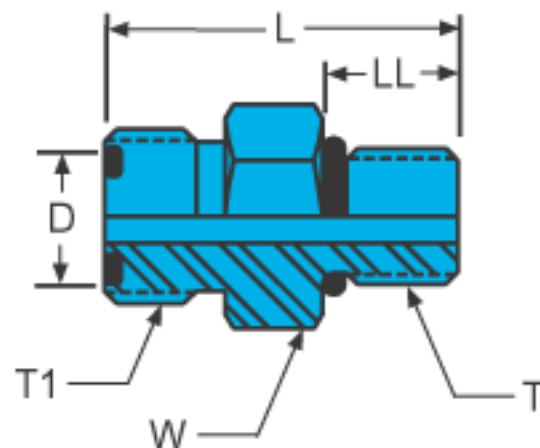


Soft-Seal

Tube To O-Ring Boss

P-GC: Straight Thread Male Connector

Connects fractional tube to female SAE/MS straight thread



* Working Pressures

Part Number	Tube O.D.	T Thread	T1 Thread	D Through Hole	L	LL After Inst.	W Hex	Stainless Steel*	Monel*	Brass*
P2-2GC	1/8	5/16 - 24	7/16 - 20	0.093	1.00	0.36	1/2	6000	---	---
P4-4GC	1/4	7/16 - 20	9/16 - 18	0.188	1.06	0.41	5/8	6000	5610	---
P6-6GC	3/8	9/16 - 18	11/16 - 16	0.313	1.20	0.43	13/16	6000	5610	---
P8-8GC	1/2	3/4 - 16	13/16 - 16	0.438	1.32	0.47	15/16	6000	5610	---
P10-10GC	5/8	7/8 - 14	1 - 14	0.547	1.44	0.53	1-1/8	6000	5610	---
P12-12GC	3/4	1-1/16 - 12	1-1/4 - 12	0.656	1.62	0.63	1-3/8	6000	5610	---
P16-16GC	1	1-5/16 - 12	1-1/2 - 12	0.875	1.75	0.63	1-5/8	5500	5142	---
P20-20GC	1-1/4	1-5/8 - 12	1-3/4 - 12	1.000	1.81	0.63	2	4000	---	---
P24-24GC	1-1/4	1-7/8 - 12	2-1/8 - 12	1.250	1.88	0.63	2-3/8	4000	---	---
P32-32GC	2	2-1/2 - 12	2-7/8 - 12	1.620	2.00	0.63	3-1/4	3000	---	---