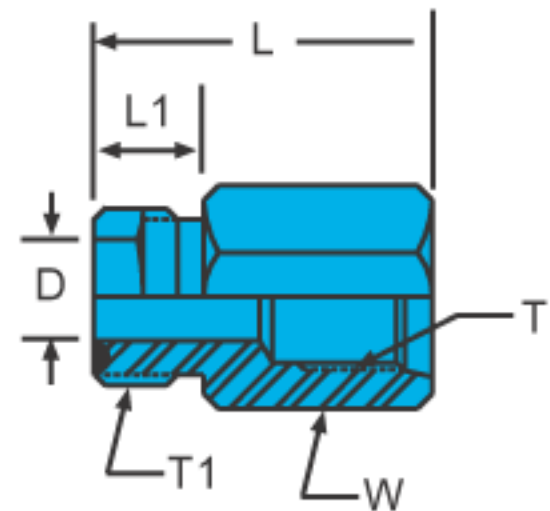


Soft-Seal

Tube To O-Ring Boss

P-FGC: Straight Thread Female Connector

Connects fractional tube to male SAE/MS straight thread



* Working Pressures

Part Number	Tube O.D.	T Thread	T1 Thread	D Through Hole	L	L1	W Hex	Stainless Steel*	Monel*	Brass*
P4-4FGC	1/4	7/16 - 20	9/16 - 18	0.188	1.11	0.34	3/4	6000	---	---
P6-6FGC	3/8	9/16 - 18	11/16 - 16	0.312	1.32	0.43	7/8	6000	---	---
P8-8FGC	1/2	3/4 - 16	13/16 - 16	0.438	1.50	0.47	1-1/16	6000	---	---
P10-10FGC	5/8	7/8 - 14	1 - 14	0.521	1.75	0.54	1-1/8	6000	---	---
P12-12FGC	3/4	1-1/16 - 12	1-1/4 - 12	0.656	1.87	0.63	1-3/8	6000	---	---
P16-16FGC	1	1-5/16 - 12	1-1/2 - 12	0.875	2.06	0.68	1-5/8	5500	---	---
P20-20FGC	1-1/4	1-5/8 - 12	1-3/4 - 12	1.000	2.12	0.75	2	4000	---	---
P24-24FGC	1-1/2	1-7/8 - 12	2-1/8 - 12	1.250	2.12	0.69	2-1/4	4000	---	---
P32-32FGC	2	2-1/2 - 12	2-7/8 - 12	1.620	2.00	0.75	3	3000	---	---