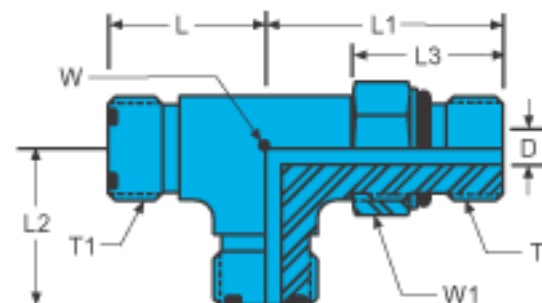


# Soft-Seal

## Tube To O-Ring Boss

### P-GRT: Male Straight Thread Run Tee

Connects fractional tube to female SAE/MS straight thread



\* Working Pressures

Part Number	Tube O.D.	T Thread	T1 Thread	D Through Hole	L	L1	L2	L3	W Wrench Flat	W1 Hex	Stainless Steel*	Monel*	Brass*
P4-4-4GRT	1/4	7/16 - 20	9/16 - 18	0.188	0.81	1.12	0.81	0.70	9/16	5/8	6000	---	---
P6-6-6GRT	3/8	9/16 - 18	11/16 - 16	0.313	1.06	1.25	1.18	0.77	3/4	13/16	6000	---	---
P8-8-8GRT	1/2	3/4 - 16	13/16 - 16	0.438	1.18	1.44	1.18	0.88	3/4	15/16	6000	---	---
P10-10-10GRT	5/8	7/8 - 14	1 - 14	0.547	1.43	1.68	1.43	1.02	1-1/16	1-1/8	6000	---	---
P12-12-12GRT	3/4	1-1/16 - 12	1-1/4 - 12	0.656	1.56	1.94	2.25	1.16	1-3/16	1-3/8	6000	---	---
P16-16-16GRT	1	1-5/16 - 12	1-1/2 - 12	0.875	1.94	2.06	2.25	1.16	1-7/16	1-5/8	5500	---	---
P20-20-20GRT	1-1/2	1-5/8 - 12	1-3/4 - 12	1.090	5.25	2.19	3.06	1.16	1-5/8	2	4000	---	---
P24-24-24GRT	1-1/4	1-7/8 - 12	2-1/8 - 12	1.340	5.69	2.38	2.38	1.16	1-7/8	2-3/8	4000	---	---