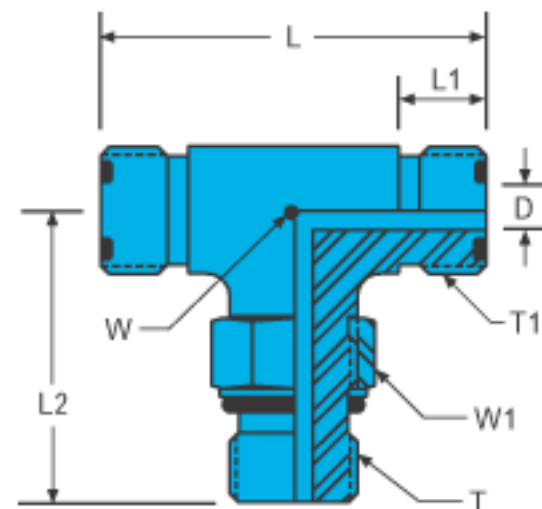


Soft-Seal

Tube To O-Ring Boss

P-GBT: Male Straight Thread Branch Tee

Connects fractional tube to female SAE/MS straight thread



* Working Pressures

Part Number	Tube O.D.	T Thread	T1 Thread	D Through Hole	L	L1	L2	W Wrench Flat	W1 Hex	Stainless Steel*	Monel*	Brass*
P4-4-4GBT	1/4	7/16 - 20	9/16 - 18	0.188	1.62	0.34	1.13	9/16	5/8	6000	---	---
P6-6-6GBT	3/8	9/16 - 18	11/16 - 16	0.313	2.12	0.43	1.25	3/4	13/16	6000	---	---
P8-8-8GBT	1/2	3/4 - 16	13/16 - 16	0.438	2.36	1.44	1.44	3/4	15/16	6000	---	---
P10-10-10GBT	5/8	7/8 - 14	1 - 14	0.438	2.86	1.94	1.69	1-1/16	1-1/8	6000	---	---
P12-12-12GBT	3/4	1-1/16 - 12	1-1/4 - 12	0.656	3.12	0.63	1.94	1-3/16	1-3/8	6000	---	---
P16-16-16GBT	1	1-5/16 - 12	1-1/2 - 12	0.875	3.88	0.69	2.06	1-7/16	1-5/8	5500	---	---
P20-20-20GBT	1-1/2	1-5/8 - 12	1-3/4 - 12	1.000	4.38	0.75	2.19	1-5/8	2	4000	---	---
P24-24-24GBT	1-1/4	1-7/8 - 12	2-1/8 - 12	1.250	4.75	0.69	2.38	1-7/8	2-3/8	4000	---	---