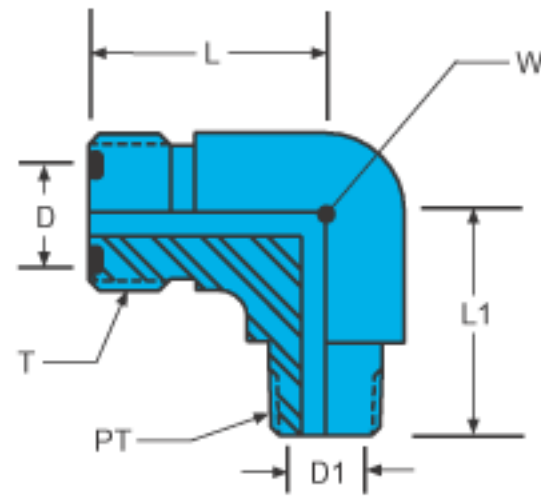


Soft-Seal

Tube To Male Pipe

P-ME: Male Pipe Elbow

Connects fractional tube to female NPT thread



* Working Pressures

Part Number	Tube O.D.	PT Pipe Thread	T Thread	D Through Hole	D1 Through Hole	L	L1	W Wrench Flat	Stainless Steel*	Monel*	Brass*
P4-2ME	1/4	1/8 - 27	9/16 - 18	0.188	0.188	0.81	0.81	9/16	6000	---	---
P4-4ME	1/4	1/4 - 18	9/16 - 18	0.188	0.188	0.81	1.06	9/16	6000	---	---
P6-4ME	3/8	1/4 - 18	11/16 - 16	0.313	0.313	1.06	1.06	3/4	6000	---	---
P6-6ME	3/8	3/8 - 18	11/16 - 16	0.313	0.313	1.18	1.18	3/4	6000	---	---
P8-6ME	1/2	3/8 - 18	13/16 - 16	0.438	0.438	1.19	1.19	3/4	6000	---	---
P8-8ME	1/2	1/2 - 14	13/16 - 16	0.438	0.438	1.19	1.44	1-7/8	6000	---	---
P10-8ME	5/8	1/2 - 14	1 - 14	0.547	0.531	1.44	1.44	1-1/16	6000	---	---
P12-12ME	3/4	3/4 - 14	1-1/4 - 12	0.656	0.719	1.56	1.56	1-3/16	6000	---	---
P16-16ME	1	1 - 11-1/2	1-1/2 - 12	0.875	0.938	1.94	1.94	1-7/16	5500	---	---
P20-20ME	1-1/4	1-1/4 - 11-1/2	1-3/4 - 12	1.000	1.250	2.19	2.19	1-5/8	4000	---	---
P24-24ME	1-1/2	1-1/2 - 11-1/2	2-1/8 - 12	1.250	1.500	2.38	2.38	1-7/8	4000	---	---
P32-32ME	2	2 - 11-1/2	2-7/8 - 12	1.620	1.940	4.12	4.12	2-1/8	3000	---	---