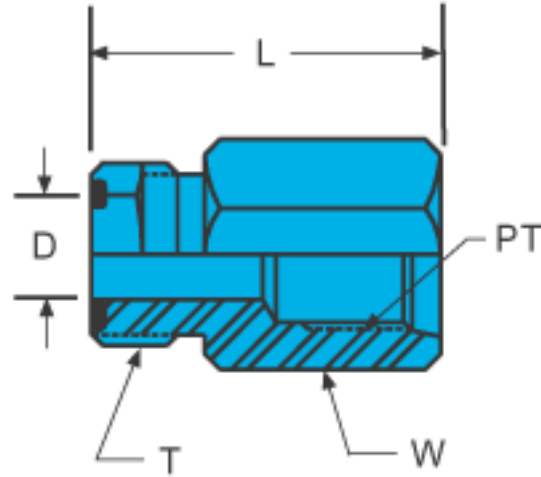


Soft-Seal

Tube To Female Pipe

P-FC: Female Pipe Connector

Connects fractional tube to male NPT thread



* Working Pressures

Part Number	Tube O.D.	PT Pipe Thread	T Thread	D Through Hole	L	W Hex	Stainless Steel*	Monel*	Brass*
P4-2FC	1/4	1/8 - 27	9/16 - 18	0.188	1.11	5/8	6000	---	---
P4-4FC	1/4	1/4 - 18	9/16 - 18	0.188	1.31	3/4	6000	---	---
P6-4FC	3/8	1/4 - 18	11/16 - 16	0.313	1.30	3/4	6000	---	---
P6-6FC	3/8	3/8 - 18	11/16 - 16	0.313	1.50	7/8	6000	---	---
P8-6FC	1/2	3/8 - 18	13/16 - 16	0.438	1.50	7/8	6000	---	---
P8-8FC	1/2	1/2 - 14	13/16 - 16	0.438	1.80	1-1/8	6000	---	---
P10-8FC	5/8	1/2 - 14	1 - 14	0.547	1.75	1-1/8	6000	---	---
P12-12FC	3/4	3/4 - 14	1-1/4 - 12	0.656	1.87	1-3/8	6000	---	---
P16-16FC	1	1 - 11-1/2	1-1/2 - 12	0.875	2.06	1-3/4	5500	---	---
P20-20FC	1-1/4	1-1/4 - 11-1/2	1-3/4 - 12	1.000	2.12	2-1/4	4000	---	---
P24-24FC	1-1/2	1-1/2 - 11-1/2	2-1/8 - 12	1.250	2.12	2-1/2	4000	---	---
P32-32FC	2	2 - 11-1/2	2-7/8 - 12	1.620	2.38	3	3000	---	---