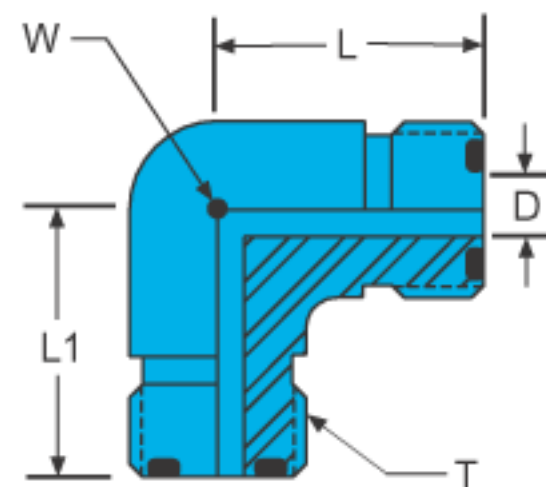


Soft-Seal

Tube To Tube Union

P-E: Elbow

Connects fractional tubes



* Working Pressures

Part Number	Tube O.D.	T Thread	D Through Hole	L	L1	W Wrench Flat	Stainless Steel*	Monel*	Brass*
P4E	1/4	9/16 - 18	0.188	0.812	0.812	9/16	6000	---	---
P6E	3/8	11/16 - 16	0.313	1.060	1.060	3/4	6000	---	---
P8E	1/2	13/16 - 16	0.438	1.190	1.190	3/4	6000	---	---
P10E	5/8	1 - 14	0.547	1.420	1.420	1-1/16	6000	---	---
P12E	3/4	1-1/4 - 12	0.656	1.560	1.560	1-3/16	6000	---	---
P16E	1	1-1/2 - 12	0.875	1.940	1.940	1-7/16	5500	---	---
P20E	1-1/4	1-3/4 - 12	1.000	2.190	2.190	1-5/8	4000	---	---
P24E	1-1/2	2-1/8 - 12	1.250	2.370	2.370	1-7/8	4000	---	---
P32E	2	2-7/8 - 12	1.620	2.620	2.620	2-1/8	3000	---	---