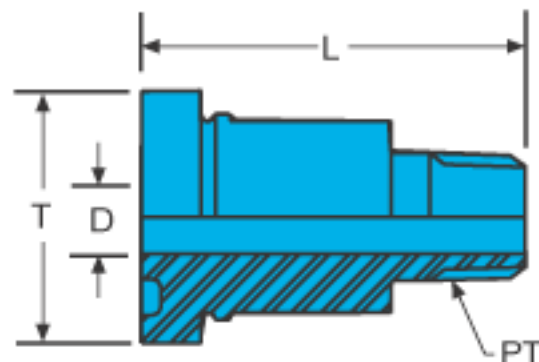


Soft-Seal

Union, Tailpiece

Q504R: Male Pipe Tail Piece

Connects female NPT thread to Threaded Piece



* Working Pressures

Part Number	Pipe Size	PT Pipe Thread	T Thread	D	L	Stainless Steel*	Monel*	Brass*
Q504R-1	1/4	1/4 - 18	1 - 1/16	5/16	1-5/8	---	---	---
Q504R-2	3/8	3/8 - 18	1 - 1/4	7/16	1-11/16	---	---	---
Q504R-3	1/2	1/2 - 14	1 - 5/8	1/2	2	---	---	---
Q504R-4	3/4	3/4 - 14	1 - 7/8	5/8	2-1/16	---	---	---
Q504R-5	1	1 - 11 1/2	2 - 3/16	13/16	2-1/4	---	---	---
Q504R-6	1-1/4	1-1/4 - 11-1/2	2 - 5/8	1-3/16	2-9/16	---	---	---
Q504R-7	1-1/2	1-1/2 - 11-1/2	2 - 15/16	1-3/8	2-7/8	---	---	---
Q504R-8	2	2 - 11-1/2	3 - 5/8	1-3/4	2-7/8	---	---	---